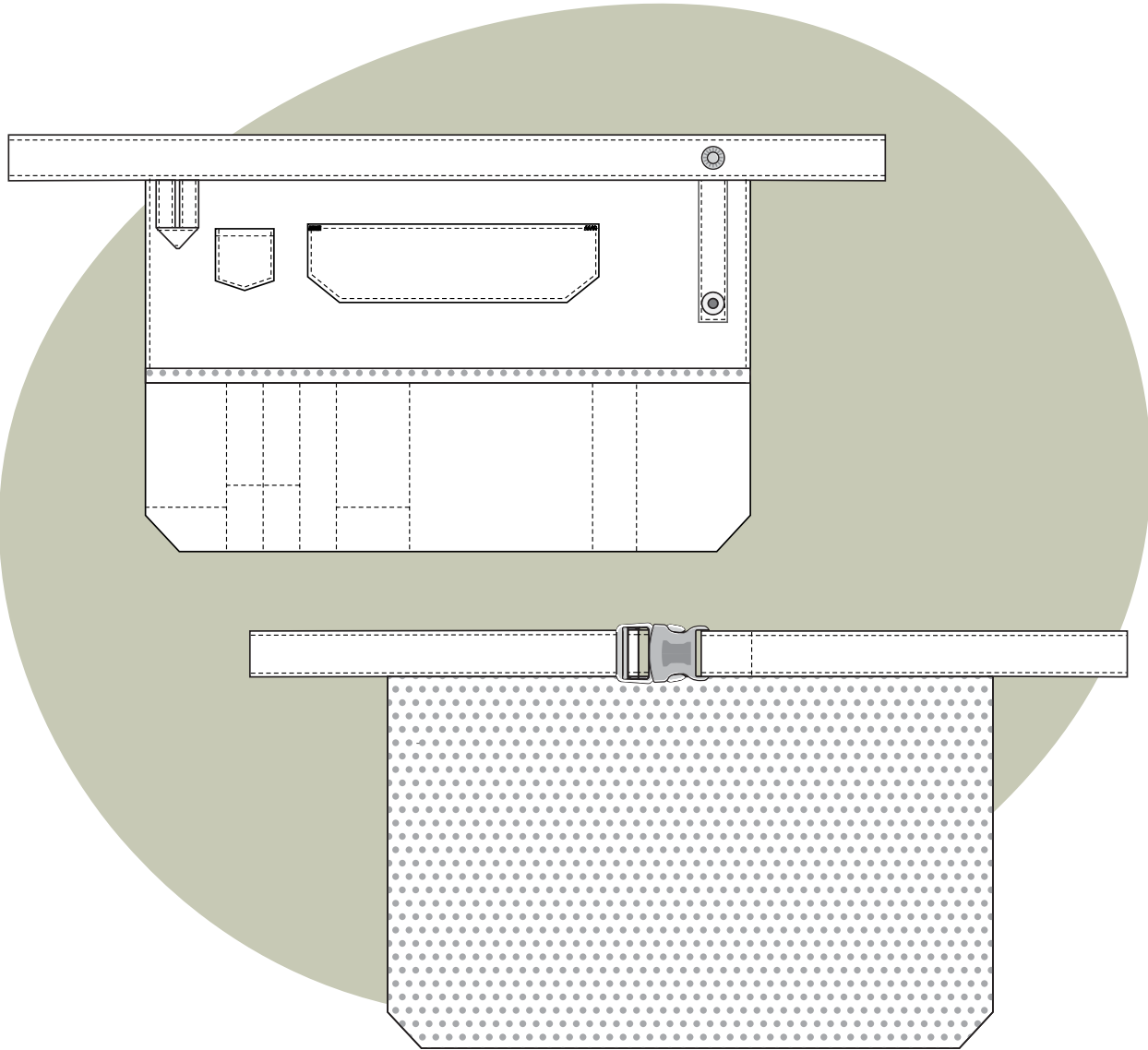
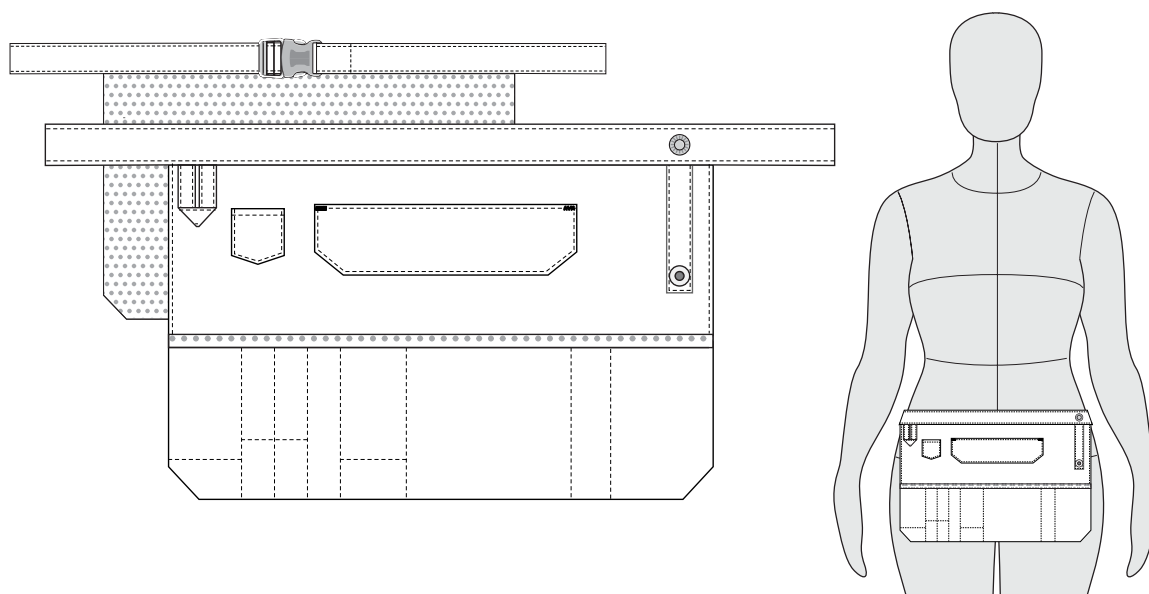


# DOGWOOD

APRON | ADVANCED BEGINNER | ONE SIZE | #9002





The Dogwood Apron is a working apron for your sewing room, wood shop, garden, or anywhere else you need a hand! It is a lined apron that buckles around the waist or hips and holds all your thingamabobs and whatchamacallits. A hidden welt pocket is perfect for keeping things safe and two tabs offer places for scissors, safety goggles, or keys! The lining provides an opportunity to have fun with fabric choice and the hardware gives it a modern look. The Dogwood Apron is a great scrap-buster, a perfect gift, and an excellent project for adventurous beginner sewists!

**Notions**

- 1 x side release buckle for 1.5" (4 cm) belt
- 1 x 1/2" (1.3 cm) snap fastener
- Thread
- 32" x 11" (81 cm x 28 cm) fusible interfacing
- 2 x rivets (optional)

**Sizes**

One Size (the belt can be adjusted).

**Difficulty**

Advanced Beginner

**Sewing Skills Learned**

- Welt pocket
- Pocket flap
- Topstitching
- Lining

**Fabric Recommendations**

Medium to heavy-weight woven fabrics with no stretch. Cotton broadcloth, denim, cotton twill, and canvas are all suitable options for the apron body. The apron lining can be a lighter weight fabric, such as quilting cotton or cotton lawn.



**DOGWOOD DENIM**

**Finished Measurements**

<b>Apron Body</b>	20" wide x 12.5" tall	50.8 cm wide x 31.8 cm tall
<b>Tool Pocket</b>	20" wide x 5.5" tall	50.8 cm wide x 14 cm tall
<b>Belt Size 1</b>	45" long	114 cm long
<b>Belt Size 2</b>	55" long	140 cm long
<b>Belt Size 3</b>	65" long	165 cm long

**Belt Sizing**

Three sizes are provided for the belt, but it can easily be made any length. Simply extend the length of the side belt (13). You can also cut your belt in one piece, selvedge to selvedge, if you prefer.

**Fabric Requirements**

Requirements are the same for wide (57"/150 cm) and narrow (45"/115 cm) fabric.

<b>Apron Body &amp; Belt</b>	0.5 meters/yards
<b>Apron Lining</b>	0.5 meters/yards

